

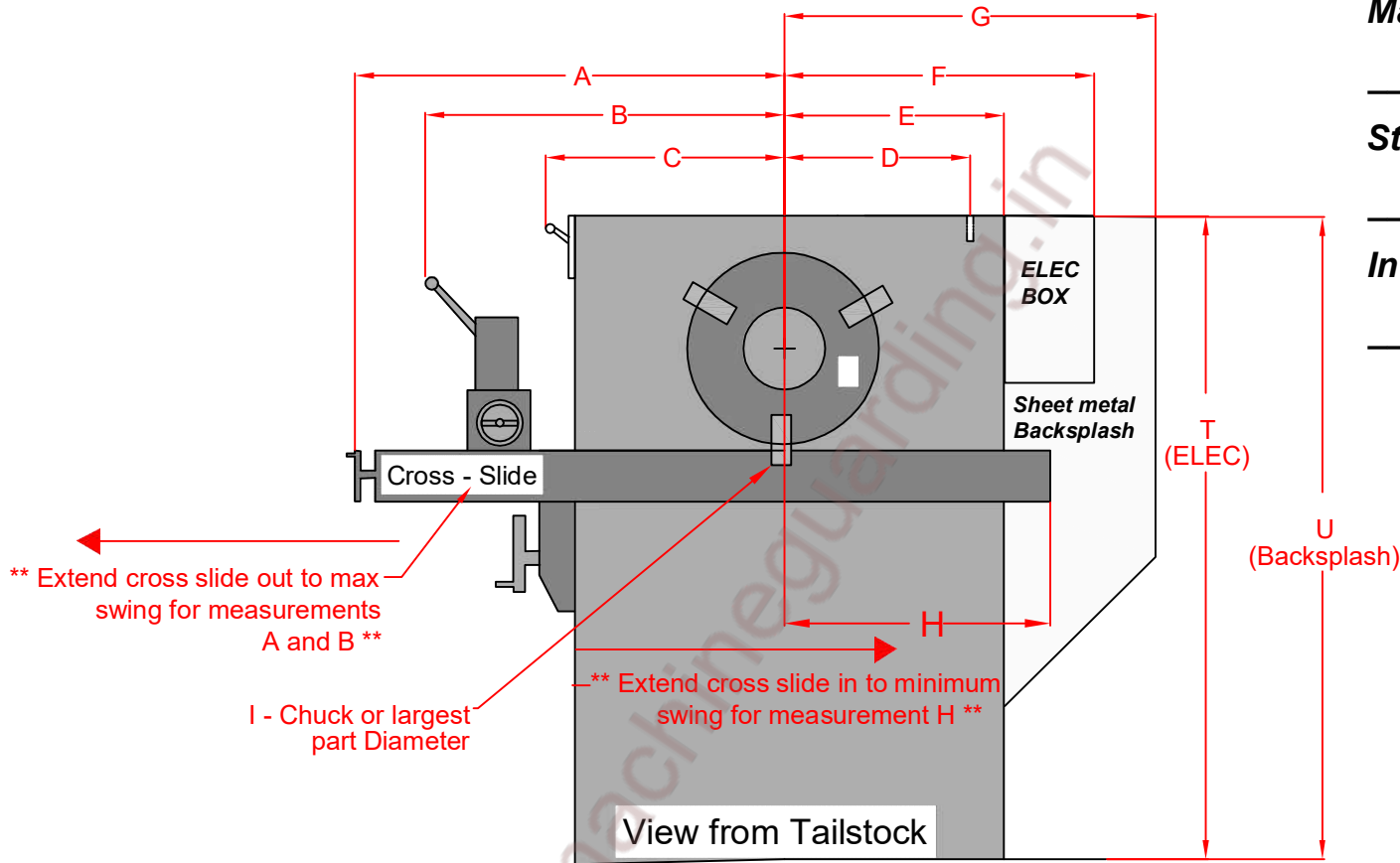
**Please fill out all required measurements.
Photos from a few angles aid in the design.**

Customer Name

Machine Make/Model

Style of Guard to Quote

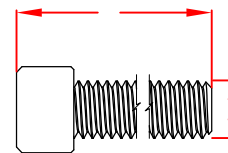
Interlock Required?



Overall Length

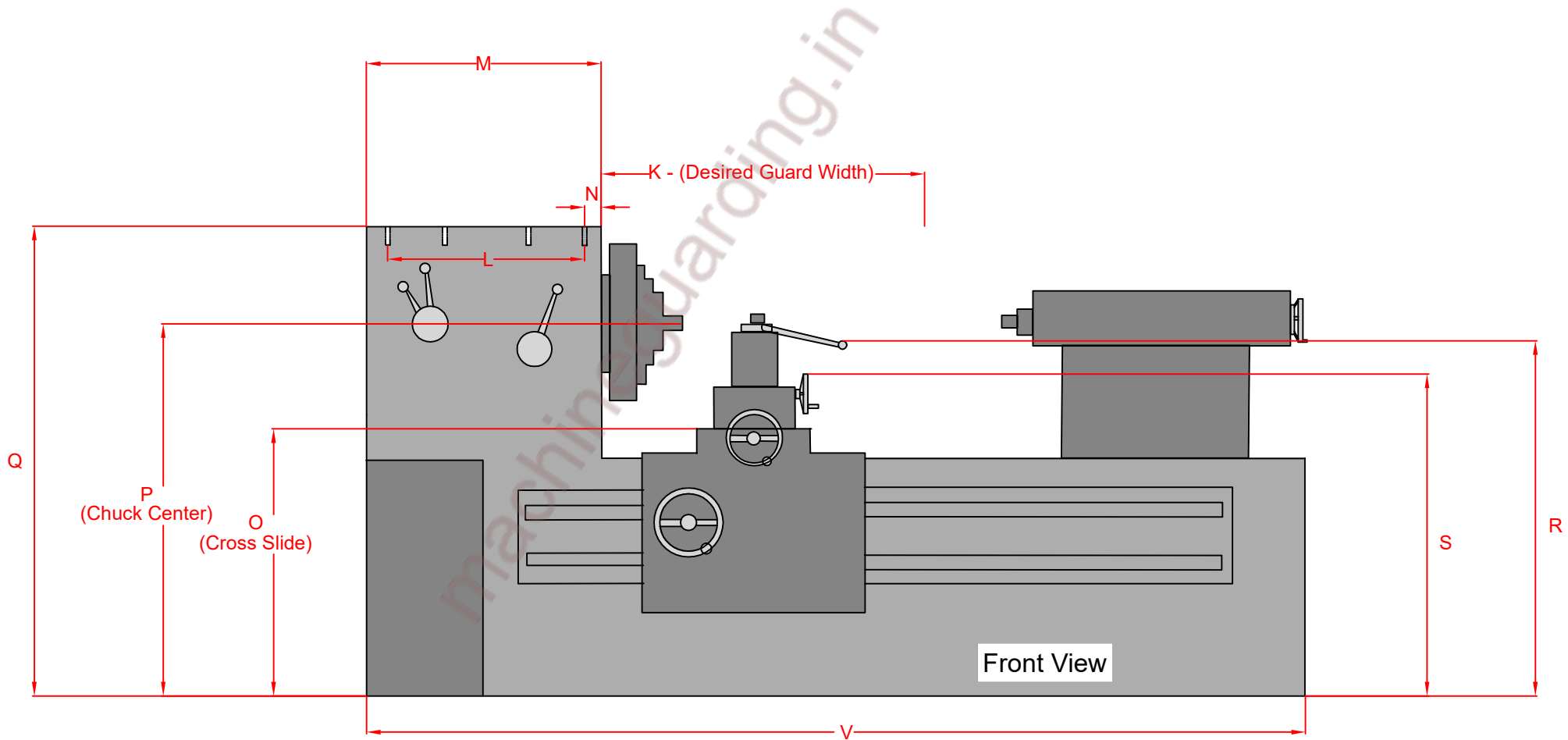
Bolt Diameter / Pitch

- | | |
|-----|-----|
| A - | G - |
| B - | H - |
| C - | I - |
| D - | |
| E - | T - |
| F - | U - |



For machine-mount guards, remove one of the gearbox lid bolts and measure the bolt size, thread pitch and overall length, including the head. If there is a raised lip near the bolt, account for the height of it.

See Page 2 for more Measurements!



- | | |
|-----|-----|
| K - | P - |
| L - | Q - |
| M - | R - |
| N - | S - |
| O - | V - |

If there is a raised platform, use the same reference point for all measurements from the ground.