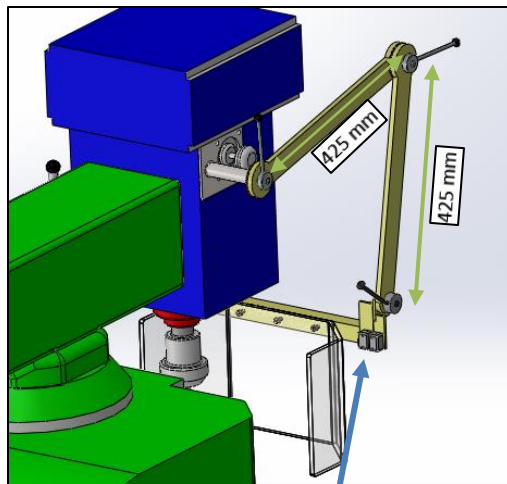
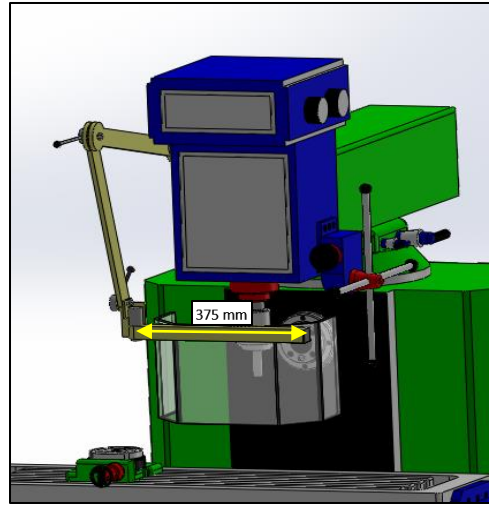
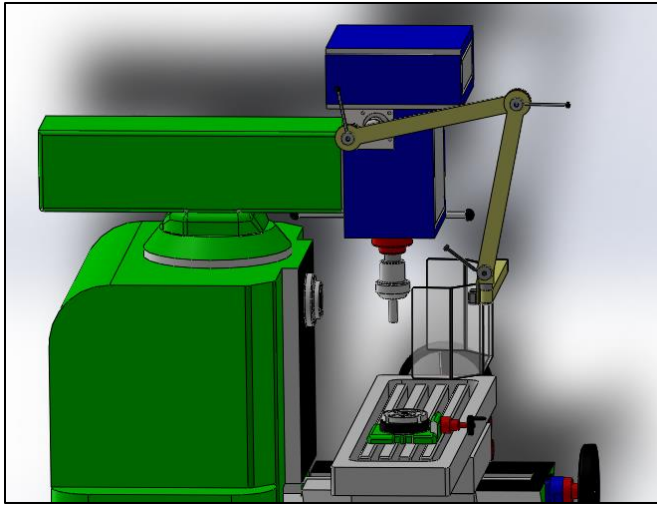
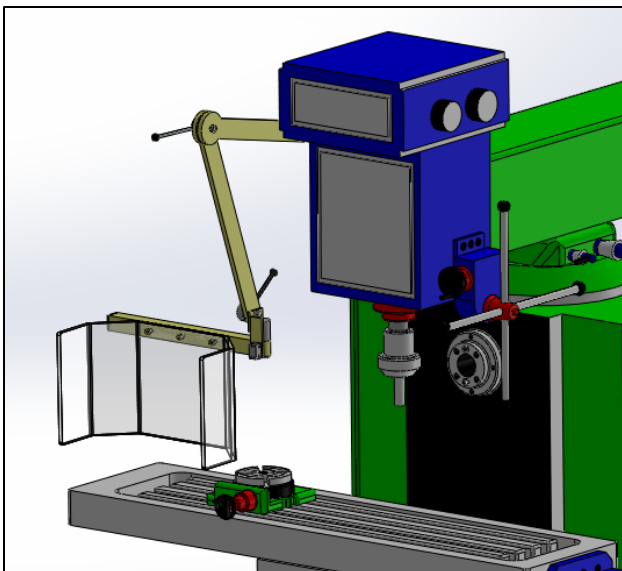


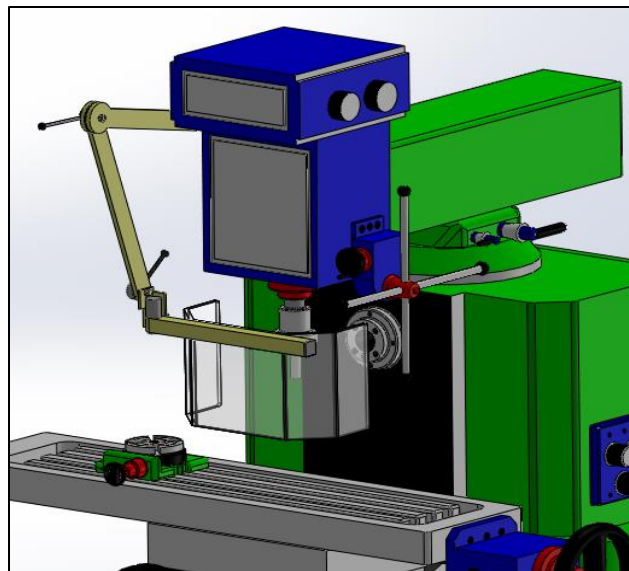
Head Mount Milling Machine Guard



Interlock / safety switch that is optional &
That can be added later.



Guard Shield is Open



Guard Shield is Close

Head Mount Milling Machine Guard

Features:

- Installs quickly; no drilling is necessary because it is truly bolt-on. Use the longer bolts that are provided to bolt to the quill feed selector. Fits a variety of manual vertical milling machines, including those made by Bridgeport, Sharp, Jet, Trak, Prototrak DPM, HH Roberts, Clausing, Lagun, Webb, Supermax, and Alliant.
- For simple setup and work availability, the front arm swings open to the left by 180 degrees.
- Heavy duty steel adjustable handles- pull out and orient 360 degrees.
- The operator may simply adjust the shield's position to fit various workpieces or fixtures due to its articulating arms.
- Will not function if the machine's head is tilted left or right (only front/back).
- Single curved polycarbonate shield is included. We also provide a flat, three-sided shield as optional. The Optional flat shield is used when the curved shield is not possible, such as when using a rotary indexer, or the head is tilted at an angle.
- All CNC billet Aluminium construction, Powder coated "Safety Yellow".
- Made in INDIA.



All measurements are from bolt center to center our mounting plate will install around the quill feed selector by using longer bolts we supply.

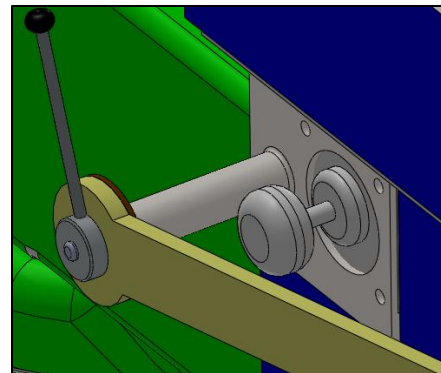
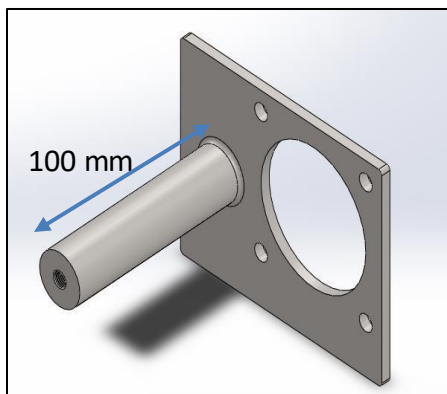
Head Mount Milling Machine Guard



- 2.5" (62.5 mm) Square bolt pattern.
- Our mounting plates are slotted and will accommodate up to 2.75" square (70 mm) bolt pattern.
- Fits in 95% of milling machines.

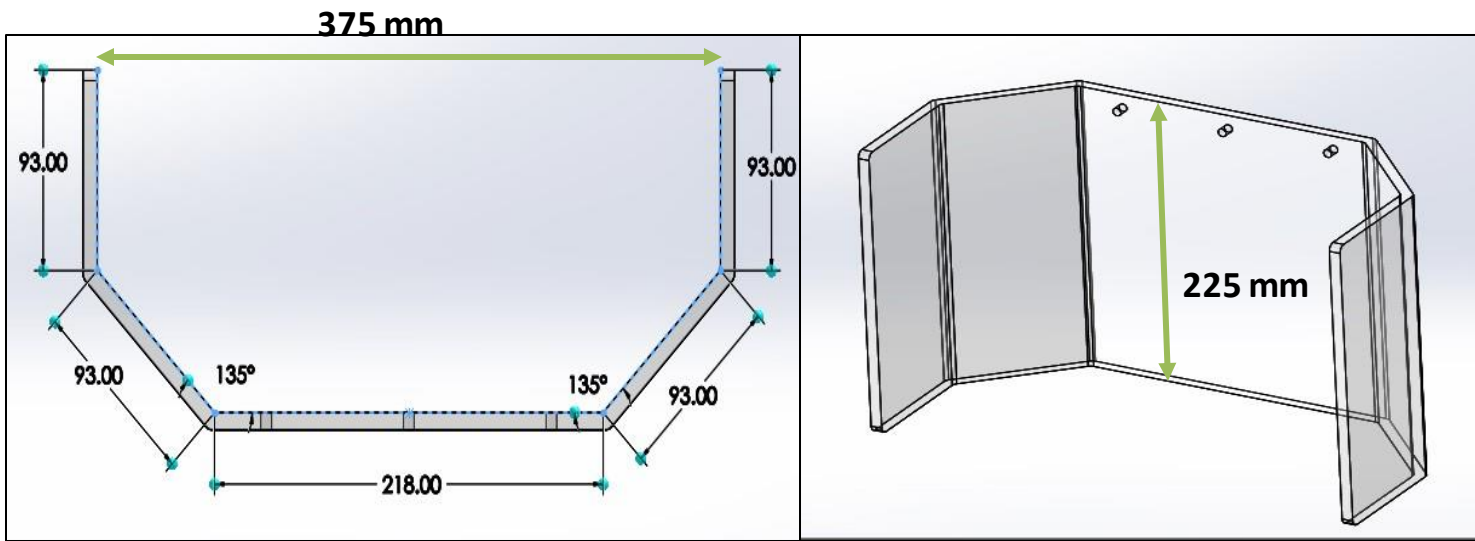


- 3 X 3.5" (87.5 mm) Square bolt pattern.
- This bolt pattern is used on some TRACK DPM machines, milltronics MB - series and clausung Bed Mills.



Head Mount Milling Machine Guard

Replacement curved mill shield



Replacement Flat mill shield

The Optional flat shield is used when the curved shield is not possible, such as when using a rotary indexer, or the head is tilted at an angle.

