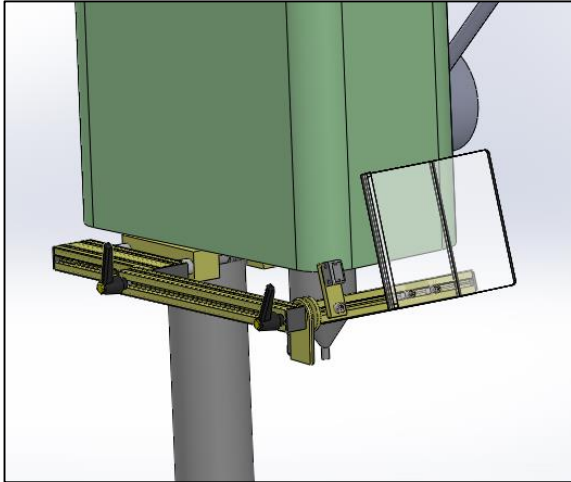
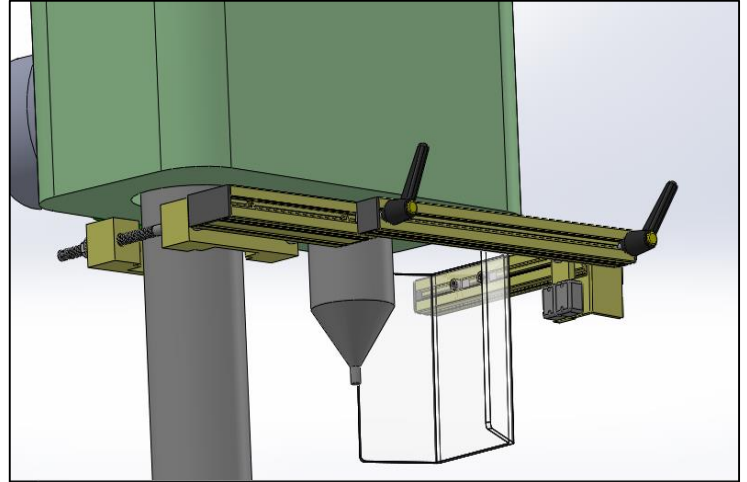


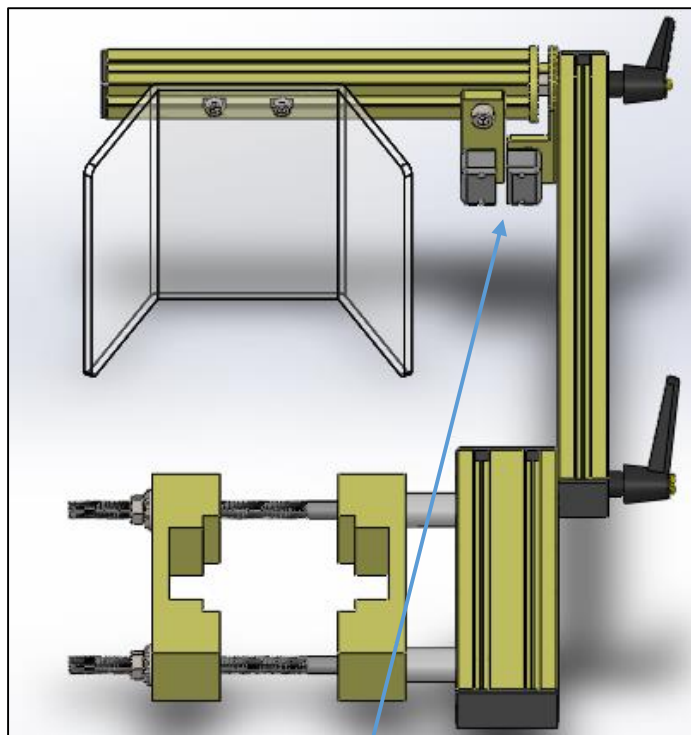
Radial Drill Machine Guard



Guard Shield is Open



Guard Shield is Close



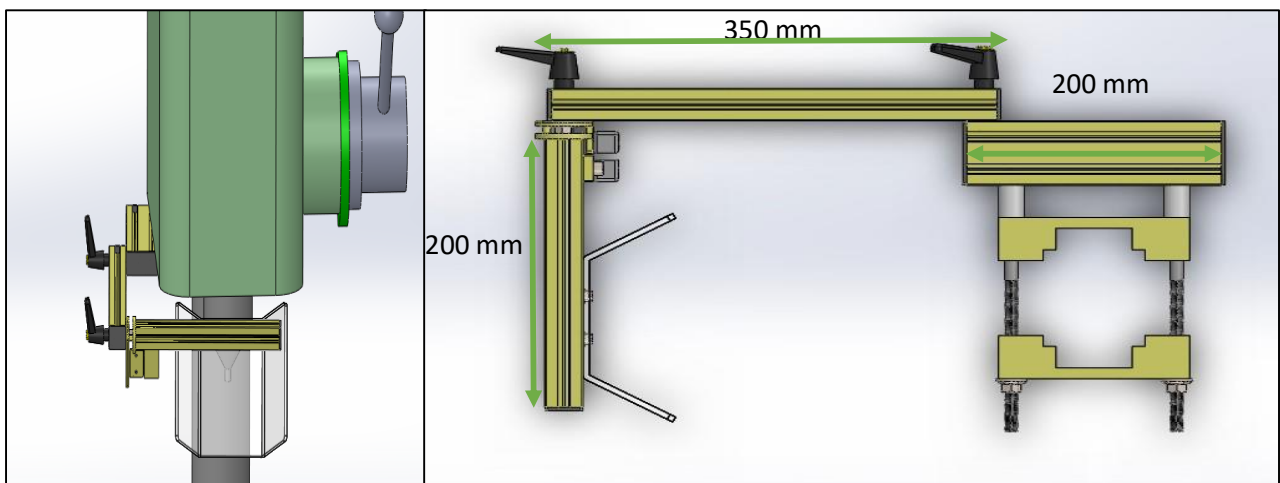
Interlock / safety switch that is optional &
That can be added later.



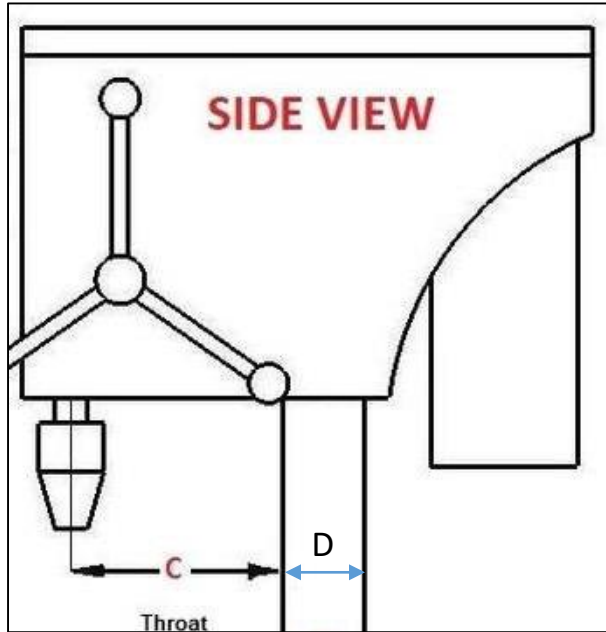
Radial Drill Machine Guard

Features:

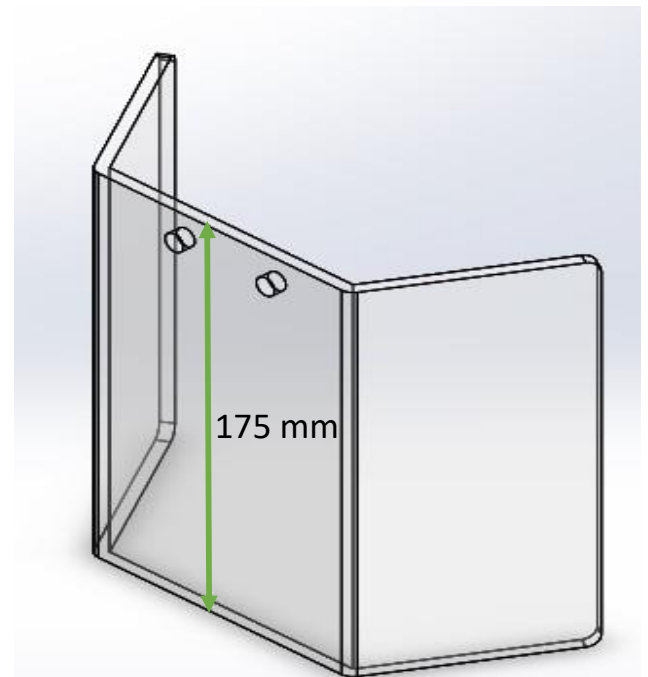
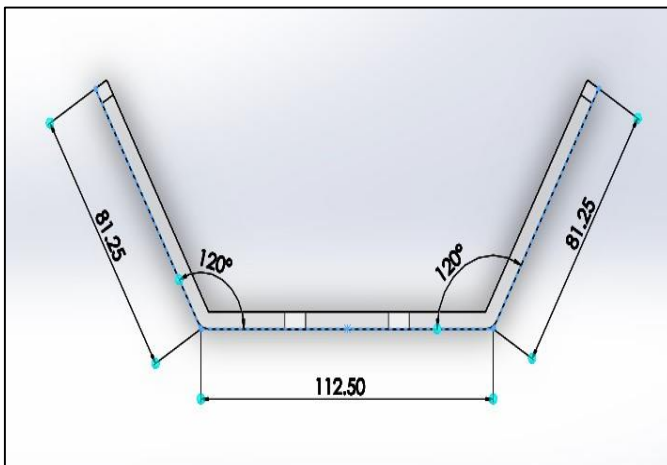
- Machine application: Most small to mid-size drill presses, including bench-top and floor models.
- 6061 Aluminium column clamp provides a bolt-on installation - no drilling! Installs in 5 minutes or less.
- Fits column diameters from 2.0 - 4.0". See fitment guide photo.
- Slotted Aluminium extrusion allows adjustment in/out and up/down to clear different work setups and table heights.
- Steel adjustable lever for easy re-positioning.
- Shield flips upward 180 degrees for part/ drill bit change.
- "5 mm" thick polycarbonate shield. The shield is 7.5" wide x 7" tall, Replacements available.



Radial Drill Machine Guard



Throat Distance (c) = 5 - 10"
Column Diameter (D) = 2 - 4"



Polycarbonate Shield