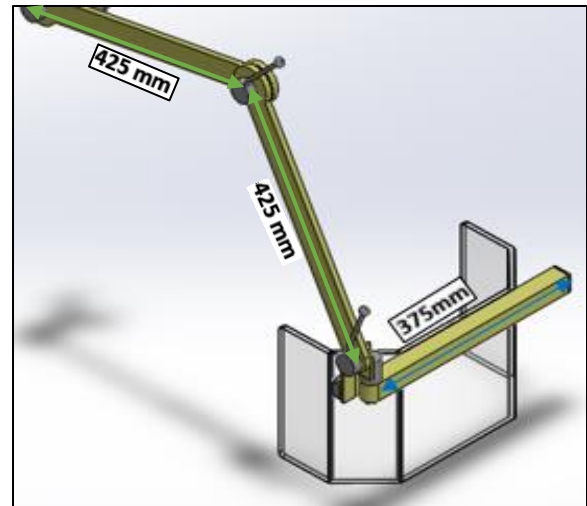
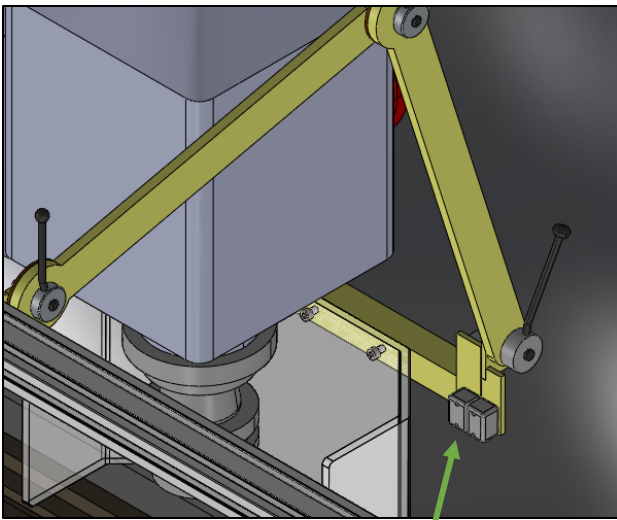
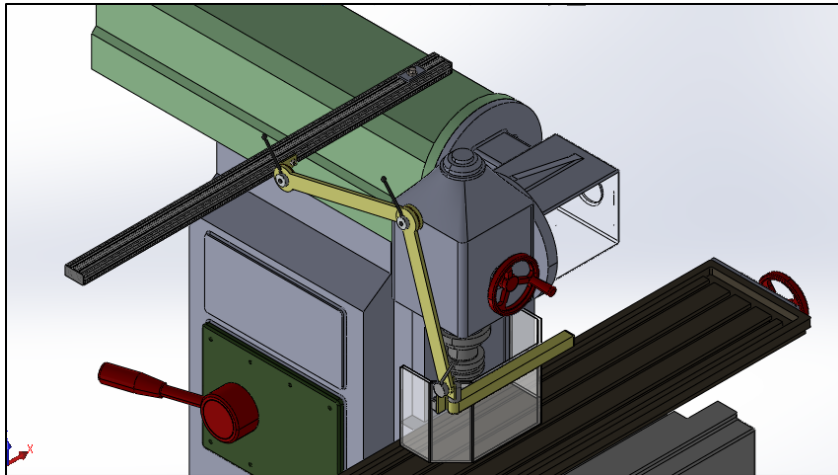
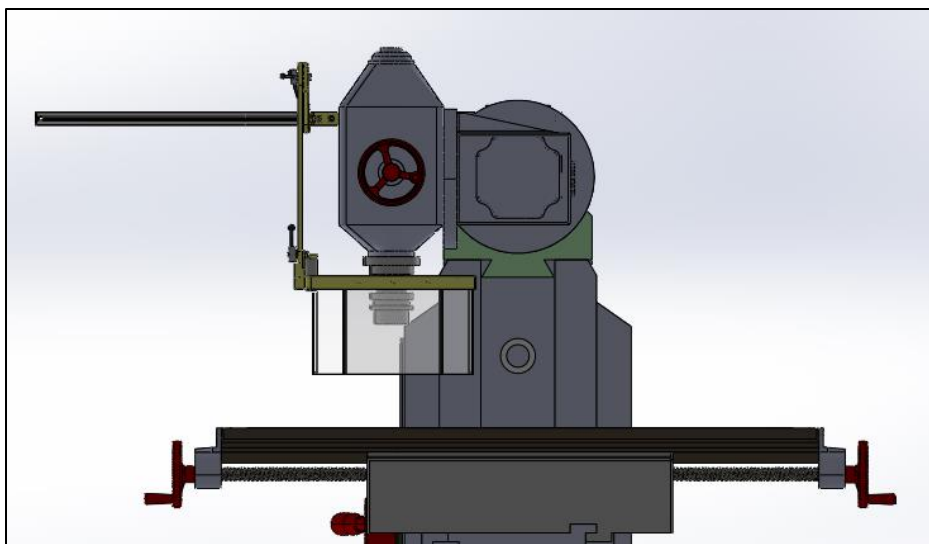


## Ram Mount Milling Machine Guard



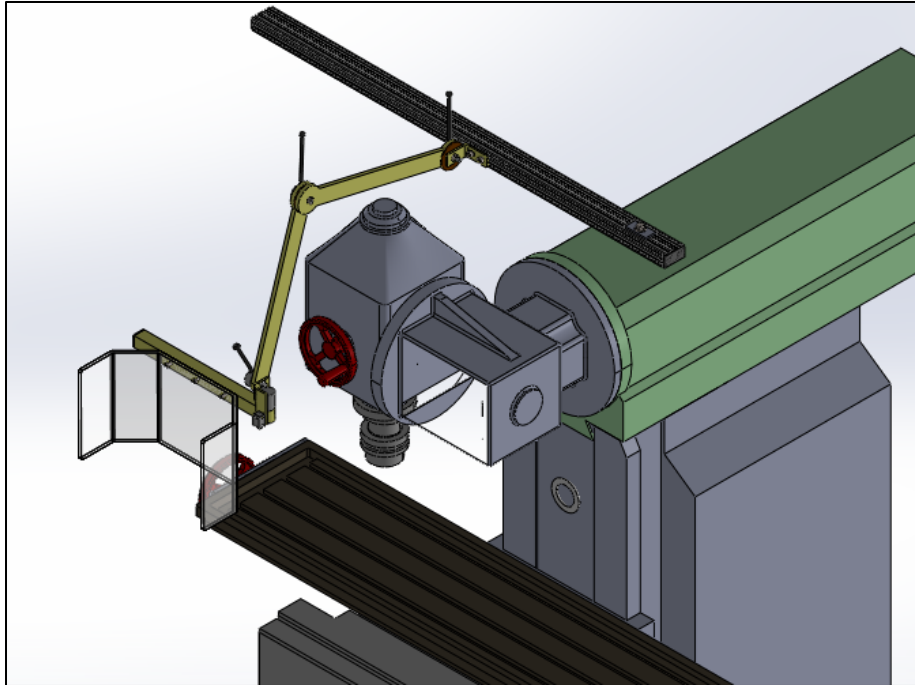
Interlock / safety switch that is optional  
& that can be added later.



## Ram Mount Milling Machine Guard

### Features:

- Installs in minutes - Truly bolt-on, no drilling required to install.
- Front arm swings open to the left 180 degrees for easy setup and work access
- Heavy duty steel adjustable handles- pull out and orient 360 degrees.
- Articulating arms allow operator to easily position the shield to fit different work pieces or fixtures.
- Includes curved polycarbonate shield only. We also have an optional 3-sided and flat shield.
- All CNC billet Aluminium construction, Powder coated “Safety Yellow”
- Made in INDIA.



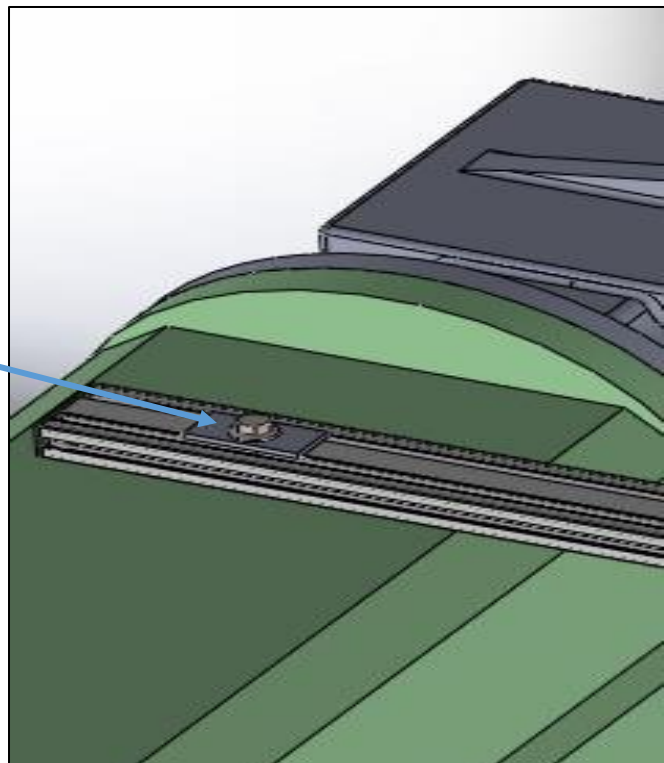
Guard Shield is Open

## Ram Mount Milling Machine Guard

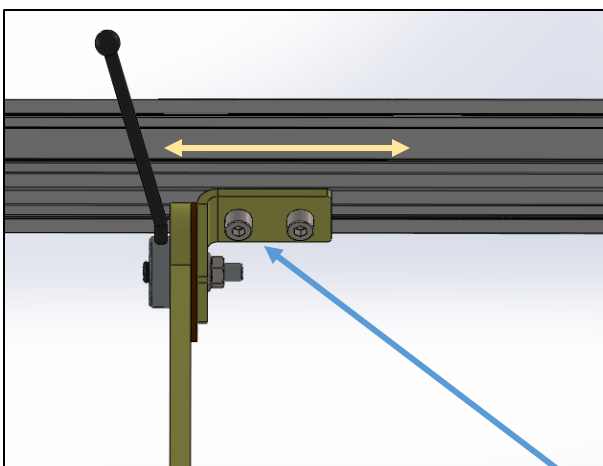
- Bolts directly to the existing threaded Hole (lifting point) on the ram. No drilling into the machine to install!
- We will ask for the brand of your machine or two measurements when ordering so that we can supply you the correct hardware and arms!



Lifting Eye Thread size



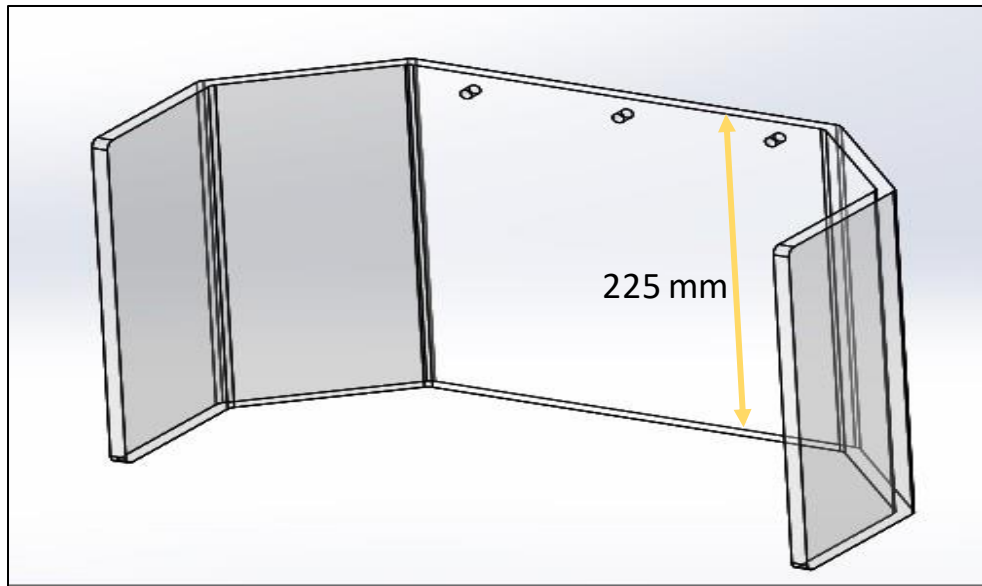
Bolt Inserted



If the head is tilted over at an angle, the guard can be repositioned using the adjustable bracket and horizontal mounting rail.

# Ram Mount Milling Machine Guard

## Replacement curved mill shield



## Replacement Flat mill shield

The Optional flat shield is used when the curved shield is not possible, such as when using a rotary indexer, or the head is tilted at an angle.

