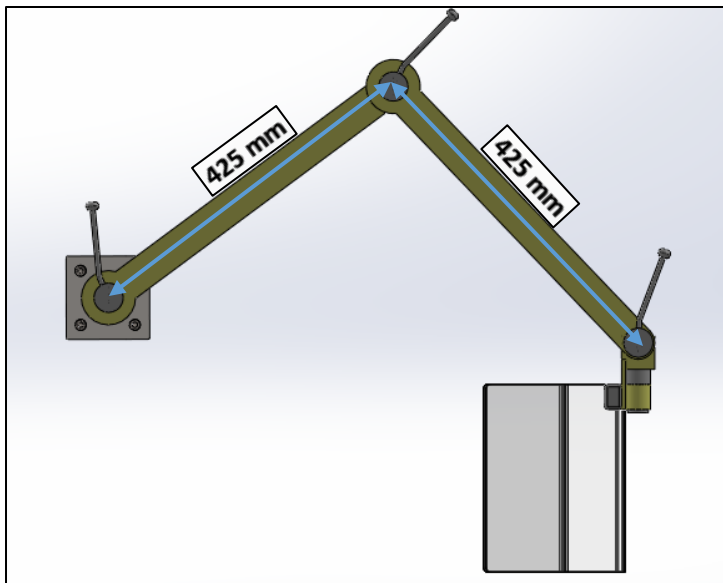
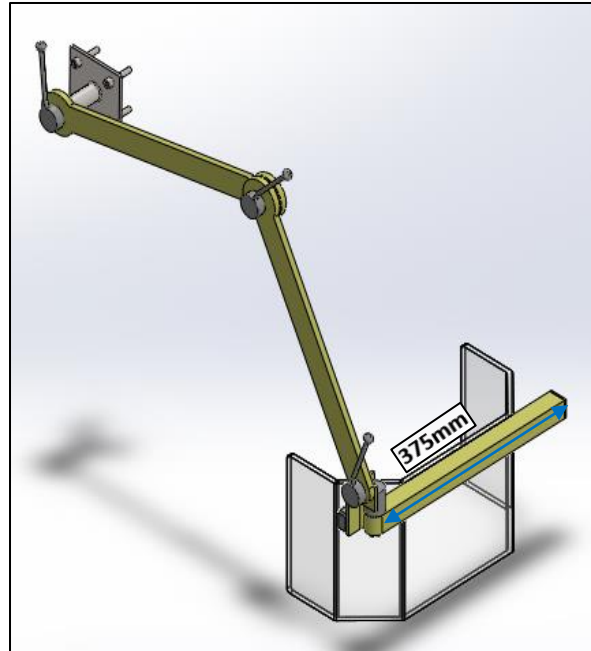
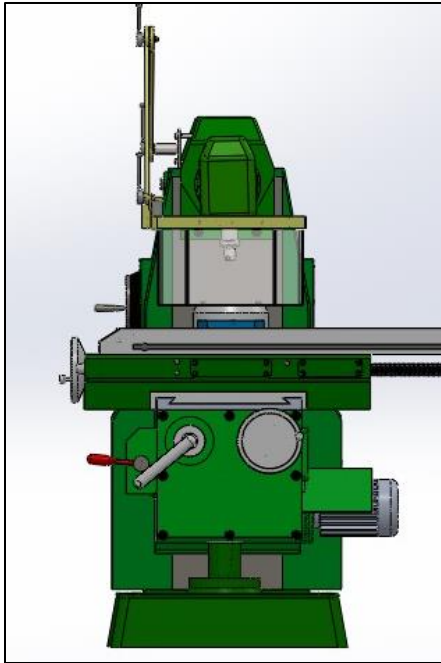
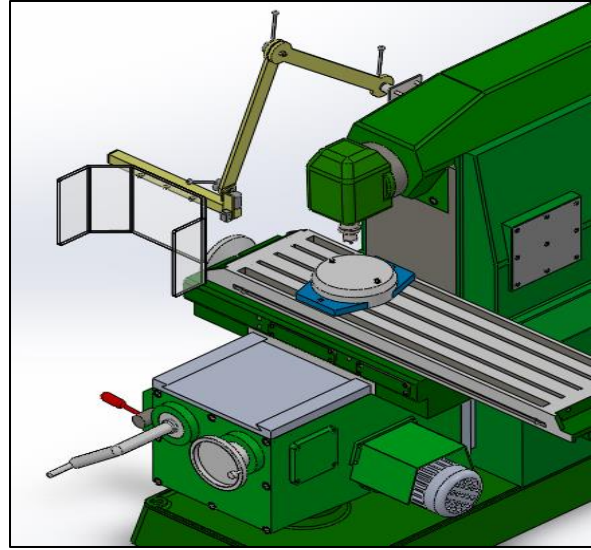
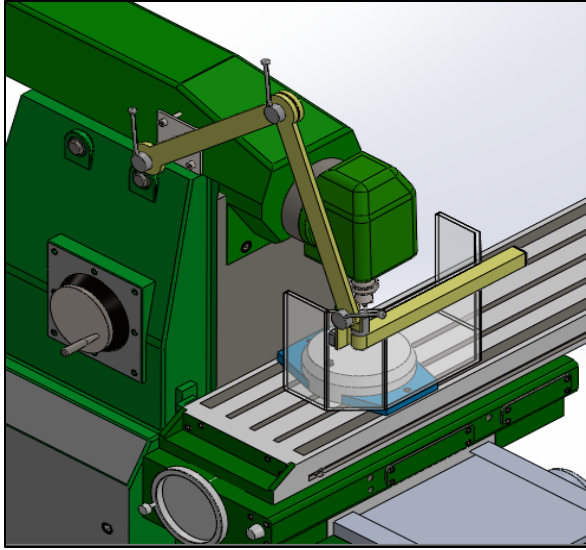
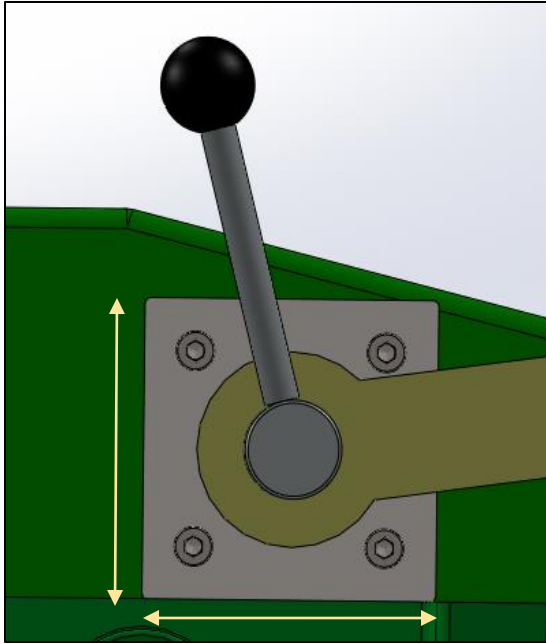


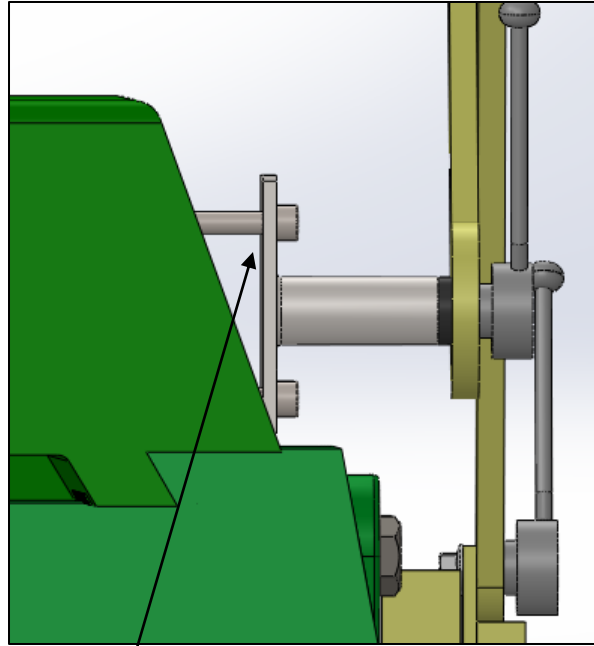
# Universal Milling Machine Guard



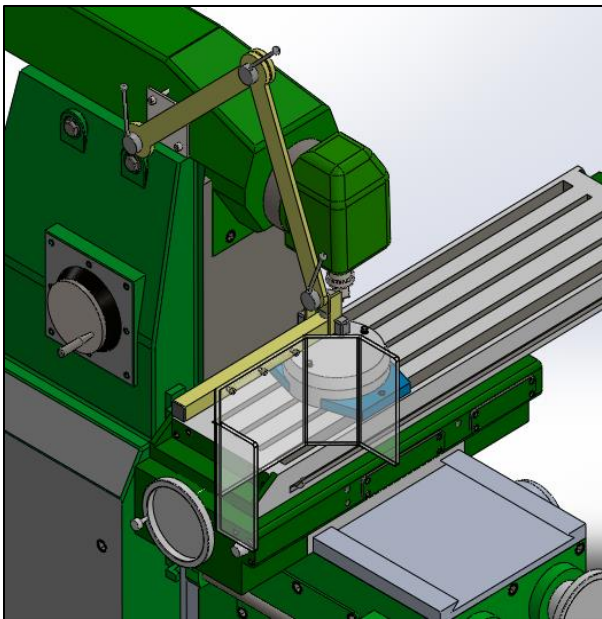
# Universal Milling Machine Guard



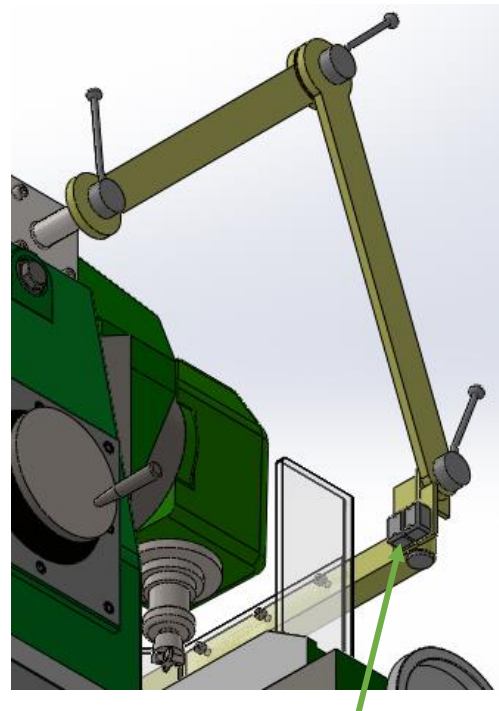
The mounting plate is 4 x 4" Square



The Set Screws allow you to easily level the mounting plate to an uneven surface.

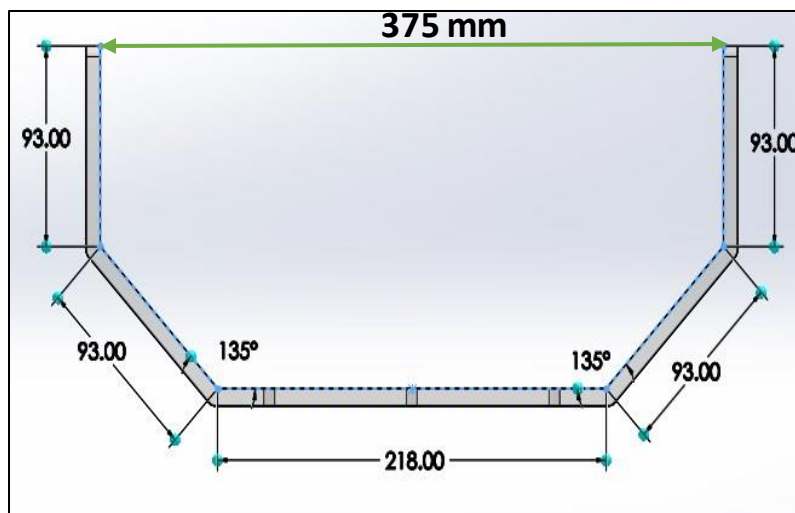
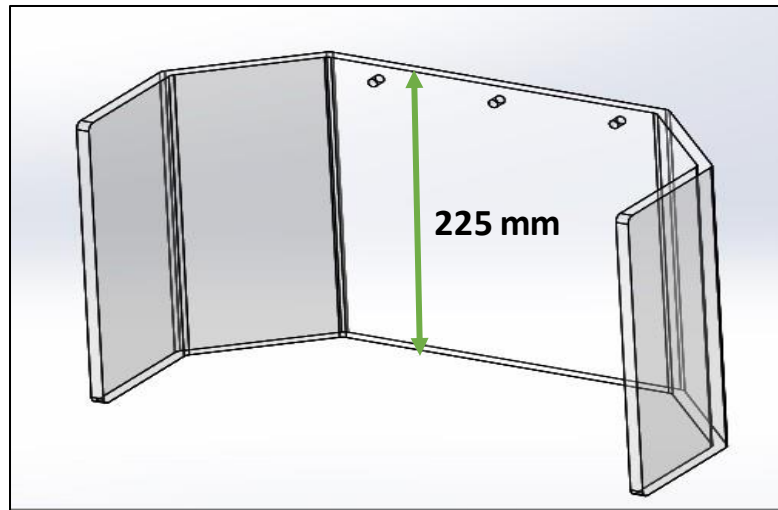


Guard Shield is Open



Interlock / safety switch that is optional & that can be added later.

## Universal Milling Machine Guard



- This is the standard shield that comes with other milling machine guards.
- We can make custom sized shields with a quick turn-around time.