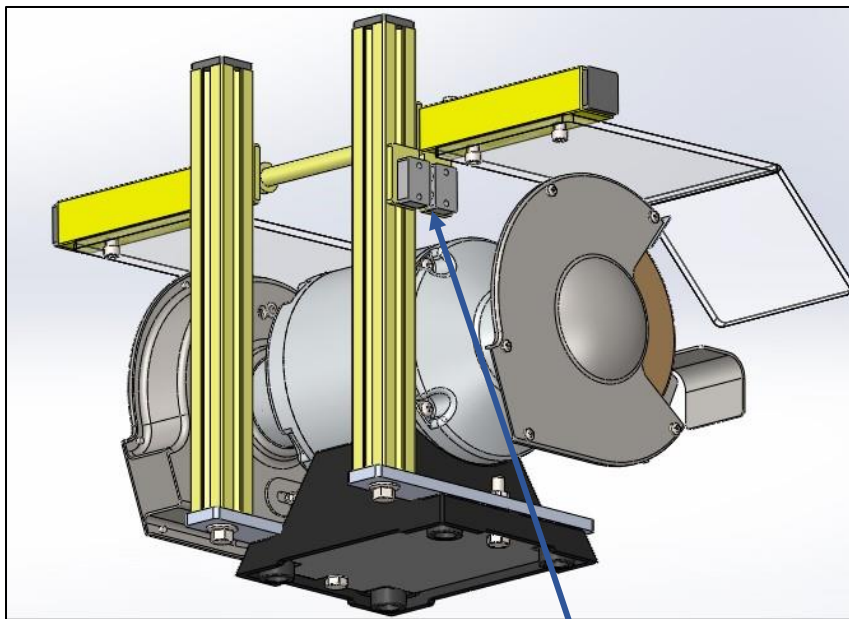
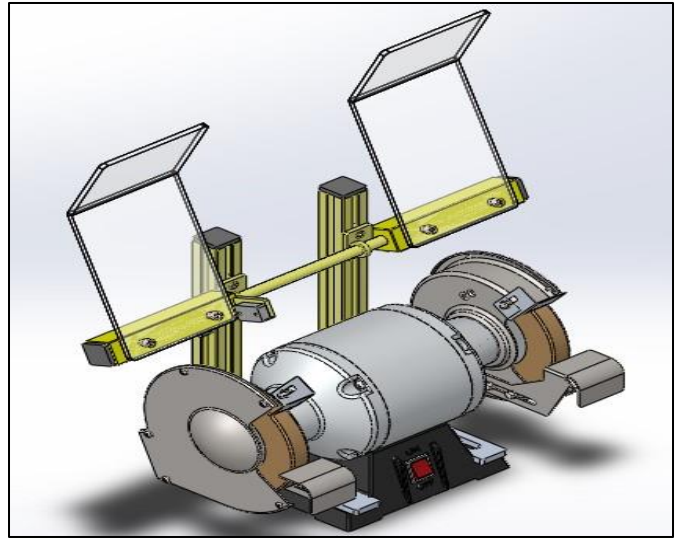
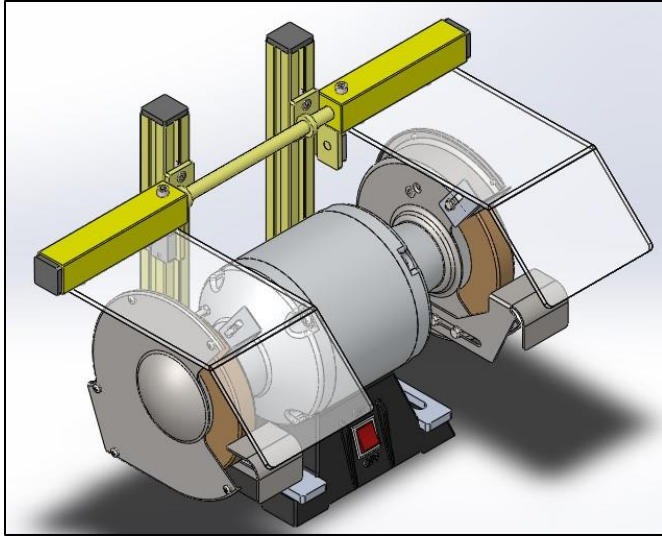


Bench Grinder Machine Guard

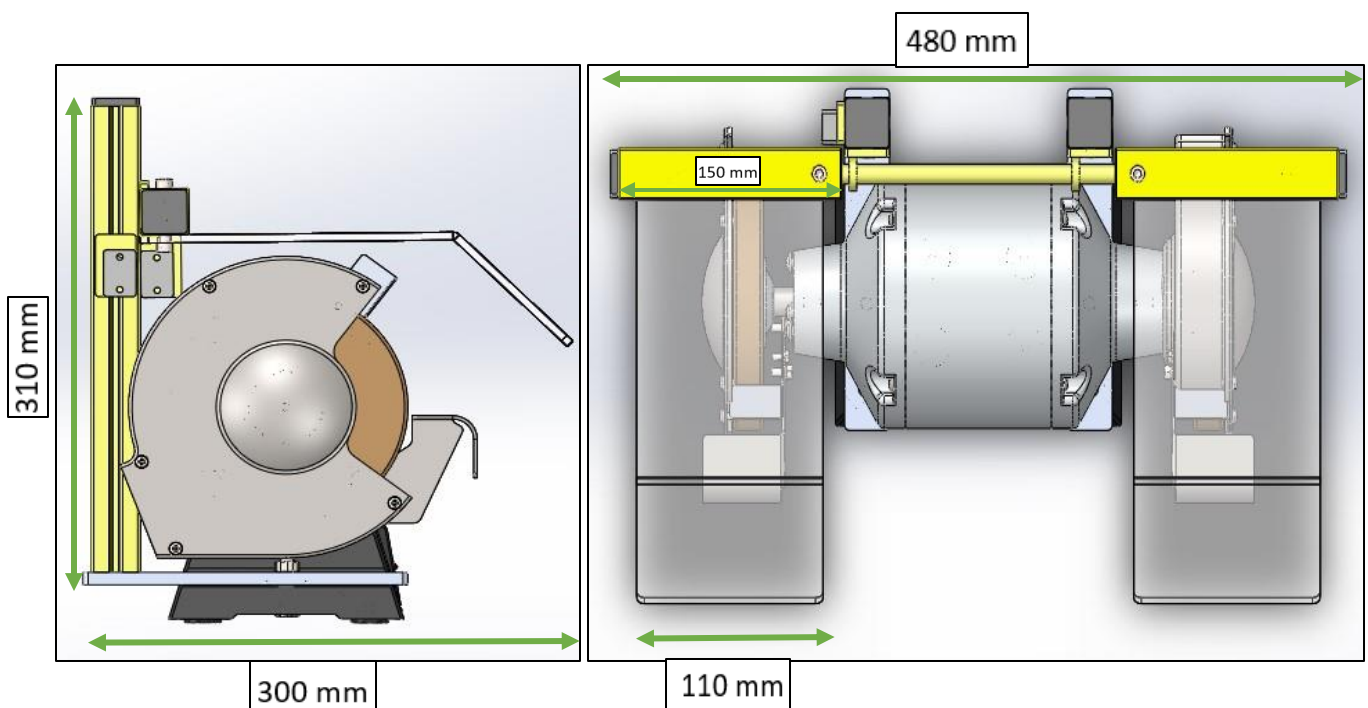


Interlock / safety switch that is optional
& that can be added later.

Bench Grinder Machine Guard

Features:

- Easy and convenient for you to install them on your bench grinder efficiently, saving your time and effort.
- Bench grinder shield is made of thickened material with a high safety level, which is durable to use.
- This grinder eye shields are practical and reliable, with good stability and protection, and will be your good choice.
- This eye shield is widely applicable, match with most of the machine and is very easy to install.
- Safety goggles not necessary.
- Scratch resistance tough Polycarbonate shield, Protects operator's eyes from sparks.
- Interlock / safety switch that is optional & that can be added later.
- Made from Aluminium Material and becomes light weight.
- Made in INDIA.



Bench Grinder Machine Guard

